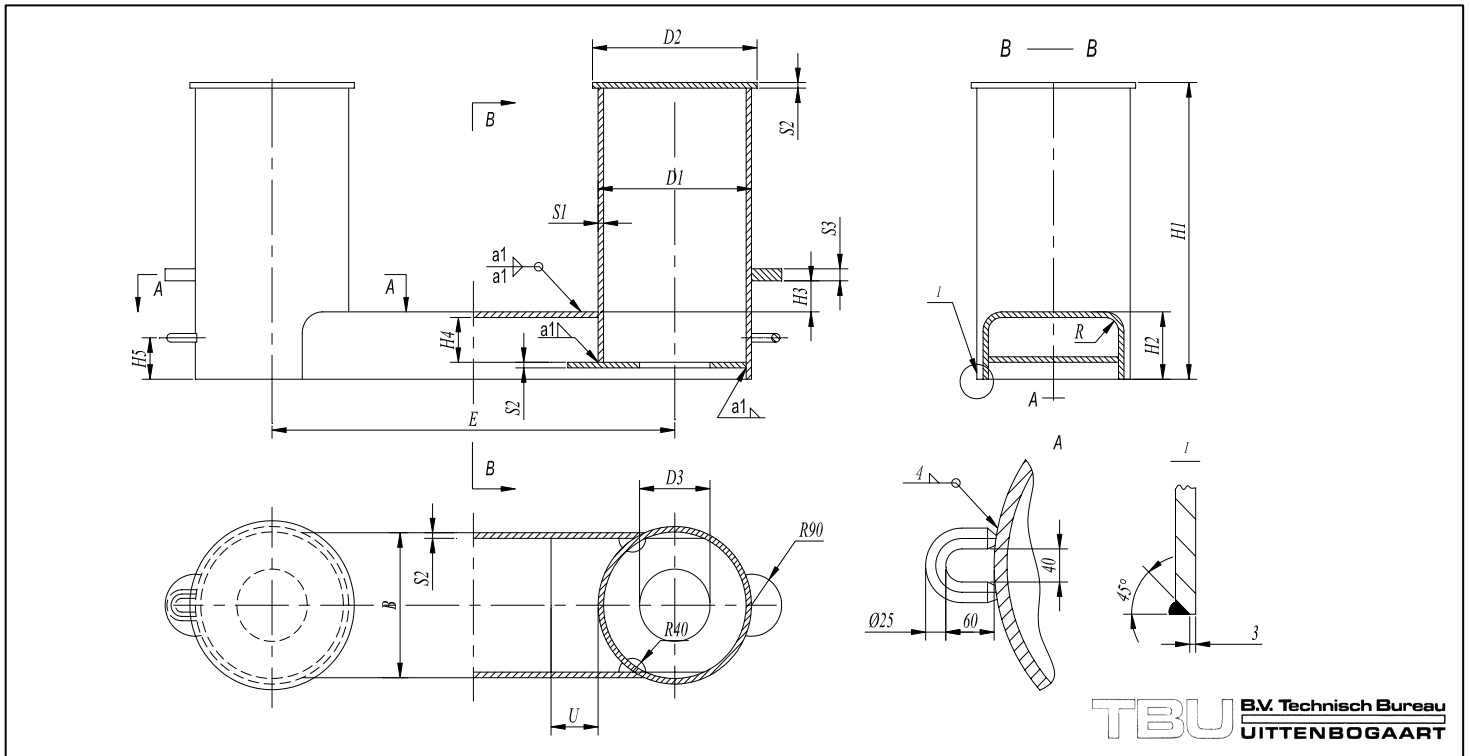


DOUBLE BOLLARD

Standard - DIN 82607



Name-Type	Safe working Load (KN)	D1XS1	B	D2	D3	E ± 10	H1	H2	H3	H4	H5	R	S2	S3	U	a1	Reference Calculated mass(Kg) \approx
1	10	139.7x5	130	160	-	430	370	105	25	-	55	40	5	18	-	3.5	21
2	20	193.7x6.3	180	215	-	570	470	115	35	-	60	50	6		-	3.5	53
3	32	273x10	250	300	-	700	570	135	45	-	75	60	8	25	-	4	100
5	50	323.9x10	300	355	150	880	670	150	60	85	85	70	8		70	4	146
8	80	355.6x14.2	330	390	170	1050	780	175	75	105	105	80	10		80	5	260
12	125	457x16	420	490	210	1200	860	195	90	130	120	90	16	35	90	6	466
20	200	508x17.5	470	545	235	1350	970	230	115	155	150	100	16		100	7	610
32	320	559x20	530	600	255	1400	1000	270	145	155	180	110	16		110	7	830