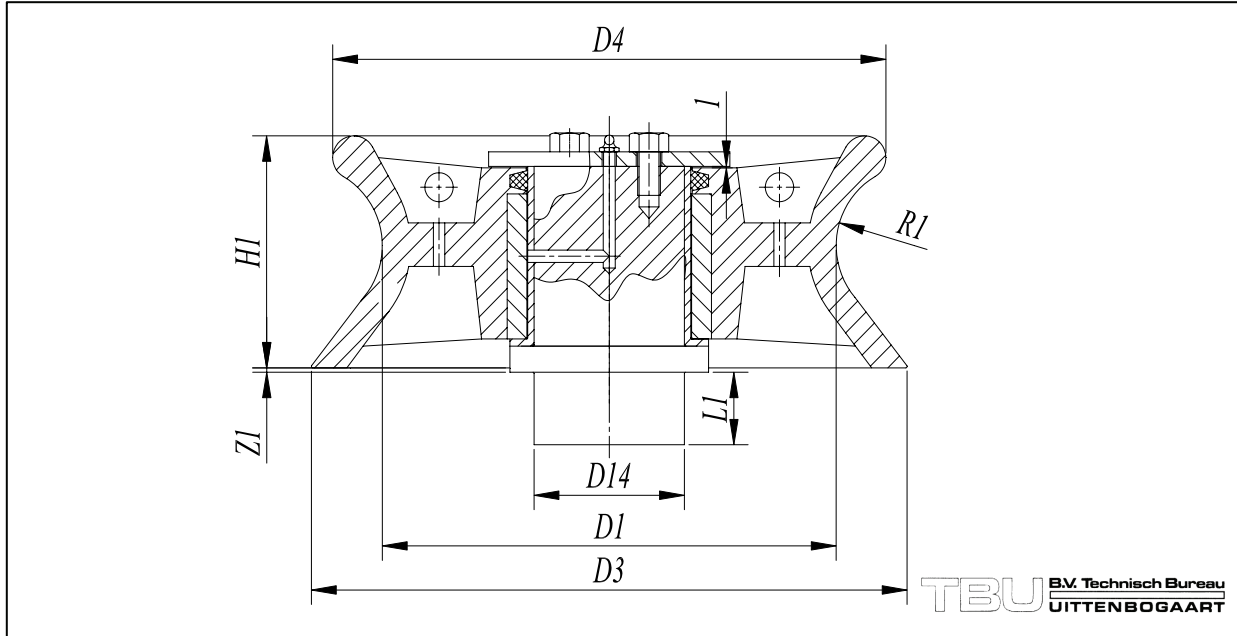


WARPING ROLLER

Standard - DIN 81906



Name -Type	Safe Working Load (KN)	D1	D3	D4	D14	H1	L1	R1	Z1	Reference Calculated mass (Kg) ≈
1	10	160	210	195	60	80	50	25	1.5	12
2	20	200	265	245	70	102		32	2.5	18
3	32	250	330	300	85	126		42		33
5	50	320	420	390	106	160	60	55		68
8	80	400	530	490	125	208	65	73		136
12	125	450	610	560	160	256	85	95		225
20	200	500	640	620	190	278	100	111	4.5	336
32	320	560	780	740	230	348	150	125		580