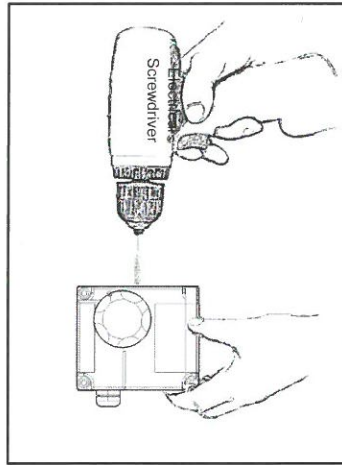


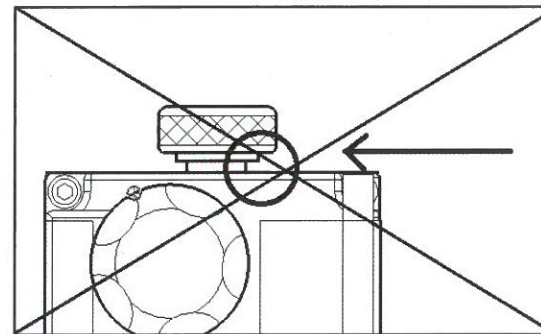
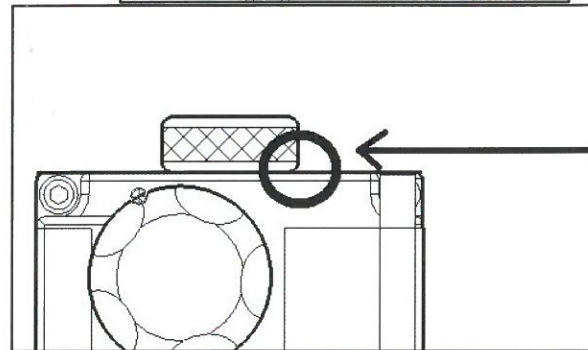
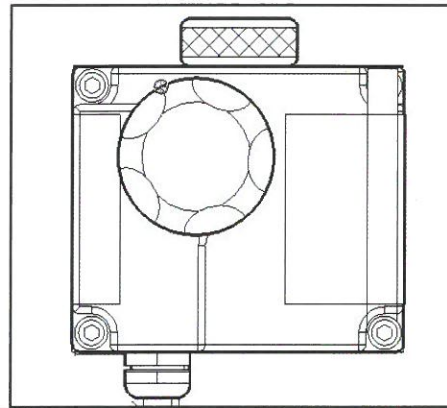


3. Use an electrical screwdriver for an efficient cleaning. Slowly strike the Cell Cleaning Brush in the Measuring Cell for a few minutes and flush with clean water.



⑤ Outward Appearance

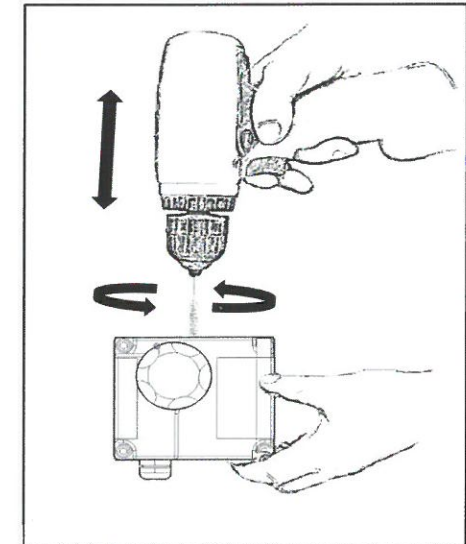
1. Check, that the Cell Cap, MCU, or Autoclean is screwed down completely.



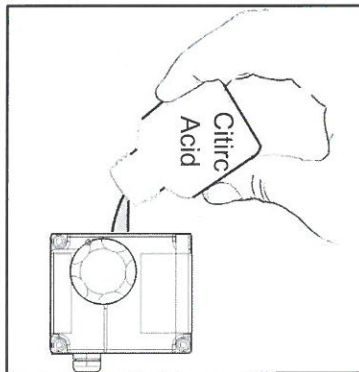
2. A not completely screwed down Cell Cap may allow formation of air bubbles and may influence with flow rate settings.

CLEANING
GUIDE FOR

MZ-09



④ Cleaning of Iron Oxide and Calcification



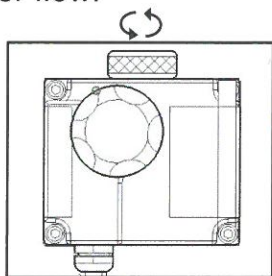
1. Ensure that the valves remain closed. Mix some Citric Acid with 15 ml water. Fill the Sample Glass Tube with the Citric Acid liquid and let it soak over night. Flush with clean water without gas.

Cleaning Procedure of Measuring Cell MZ-09

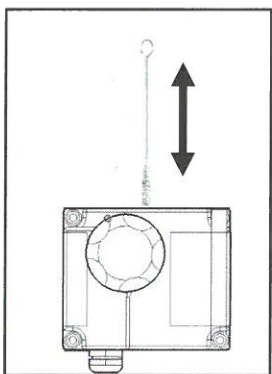
- Cleaning Manually
- Cleaning Mechanically Assisted
- Cleaning of Iron Oxide and Calcification

① Cleaning Manually

1. Stop any water flow.



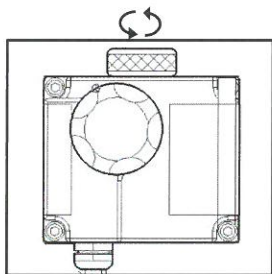
2. Unscrew Cell Cap, MCU or Autoclean.



3. Clean with Cell Brush.

4. Screw in the Cell Cap.

Check that the Cell Cap is screwed down completely.

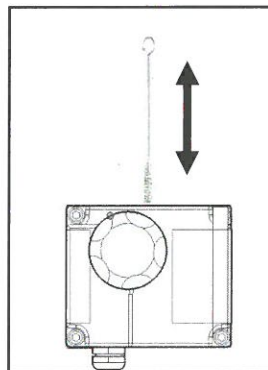


② Cleaning with Sample Tube Cleaner

1. Apply Sample Tube Cleaner to the Cell Cleaning Brush and add water.



2. Clean the Sample Glass Tube with the Cell Cleaning Brush by applying the Sample Tube Cleaner.



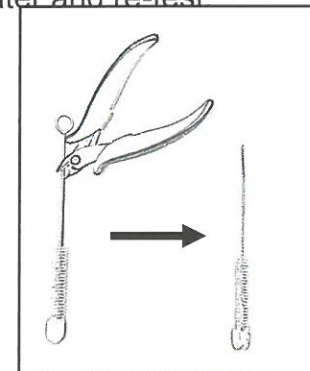
3. Replace the Cell Cap.

Switch clean water valve to fresh water and allow oil free water to flow through the instrument for few minutes.

Observe, that the display shows 0 to 2 ppm.

③ Cleaning Mechanically Assisted

1. Cut the upper part of the Cell Cleaning Brush. Insert the wire stem of the Cell Cleaning Brush into an electrical screwdriver and fix it. Slowly rotate the Cell Cleaning Brush for a few minutes in the Sample Glass Tube (See Step 3.) Flush with clean water and re-test



2. You can also use some Sample Tube Cleaner. It does not damage the surface of the Sample Glass Tube. Please do not use other abrasive cleaners, hard particles contained may damage the Sample Glass Tube within seconds.

